

# Tuning TXR

**TXR**

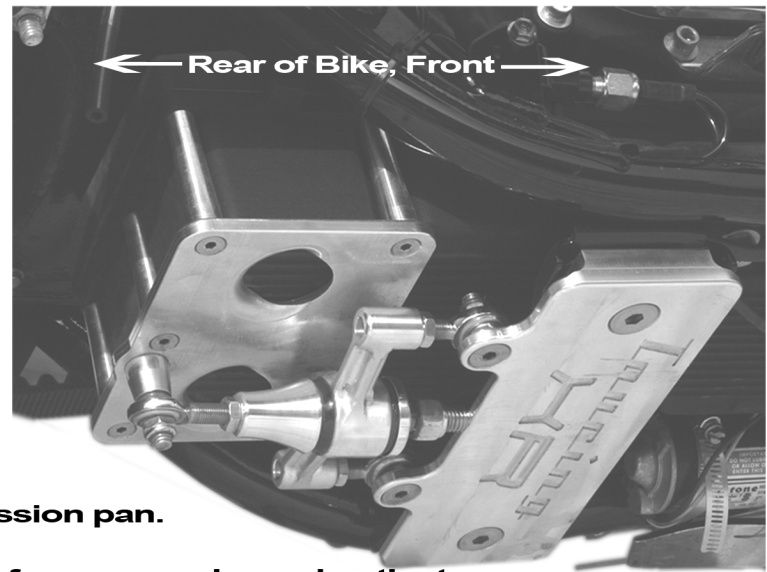
## Installation Instructions

**Alloy Art**

**154 S. Valencia St.**

**Glendora, CA. 91741**

**Tel (626) 963-50 21 fax (626) 335-3685**



### Step 1

· Remove the five rear bolts on the rear of transmission pan.

### Step 2

· Mount TXR Cross Member plate on it to bottom of cross member using the two large round flange nuts and two 1/2"-13 flat head Allen's using blue loctite.

### Step 3

· Take the 5 1/4-20X3.5" flat head Allen bolts, with the five long aluminum standoffs, · Mount the plate with the standoffs to the bottom of the trans pan using blue loctite.

### Step 4

· Take two 3/8X1 1/4" flat head Allen's install them from the bottom up in the TXR cross member plate.

### Step 5

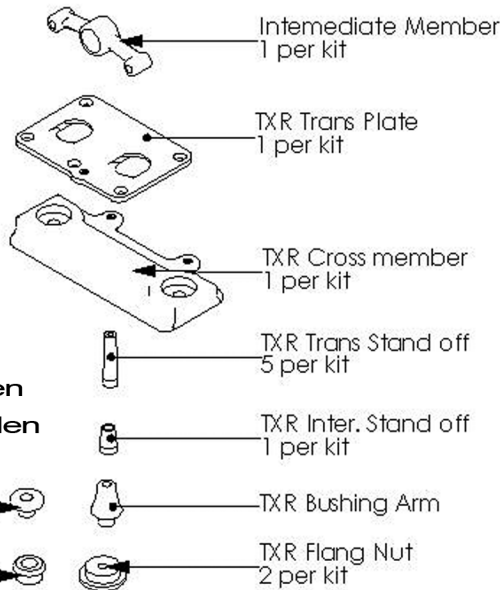
· Mount the rear single heim joint with the short aluminum standoff to the trans plate with the 3/8" button head from the bottom and the nylon locknut on the top side of the trans plate Take the intermediate member and fasten the bolts in step 4 with the 3/8" nylon locknuts. Adjust the length on the ball joints so that there won't be any binding on the 3/8 bolts attaching the ball joints to the cross member and trans plate. ( tee 3/8 flat head bolts should slide smooohly through ball joints and plates in perfect alignment with no pushing or pulling on bolts.)  
Once everything is adjusted then tighten all hardware, and lock the jam nuts on the ball joints.

### Note:

The Bushing tension is Pre-Set by Alloy Art to our recomendem ride setting. This setting allows the bushing arm to travel back and fourth through the interm. member.(fig. A). For a more aggressive extreme riding style you will have to tighten the Bushing Tension Nut a turn or two at a time until you achieve desired ride performance. Tightening Bushing Tension Nut will increase some vibration through frame .All adjustments to the intermediate member need to be made uninstalled, and then reinstalled With all ball joints being adjusted accordingly to prevent tension between frame and transmission.

### Hardware included:

Qty.	Desc.
5	1/4-20X3" SS flathead allen
3	3/8-16" nylon locknut
3	3/8-24" SS jam nuts
3	3/8-24" SS ball joints
1	1/2-13X2.5" SS set screw
1	1/2-13" nylon locknut
2	1/2-13X1" SS flathead allen
2	3/8-16X1.25" SS flathead allen
1	3/8-16X2" SS Button head allen



Aluminum Gooden-Tite Bushing  
1 per kit

Polyurethane Gooden-Tite Bushing  
2 per kit

Pre-Set  
Recommended setting of bushing tension nut, 2 threads between tension nut and alum. bushing

